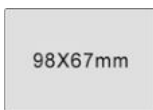


Conference Sign-in System



HCS-4393G2 Contactless Conference Sign-in Machine



HCS-3924S Long-distance Contactless IC-Card
 HCS-3925S Short-distance Contactless IC-Card

Features

- **Contactless IC-Card sign-in machine**
- **Compatible with the sign-in software module HCS-4217/50**
- **Sensitive range: 1.2 m**

The long-distance conference sign-in machine is based on the world's currently most advanced high sensitivity contactless IC-Card technology, featuring a long detection distance of 1.2-meter as its main benefit. The participant only needs to carry the card with him/her. Sign-in occurs automatically when passing the registration gate in turn, no need to present the card for status identification. Significantly improved sign-in speed (about 1000 persons per 15 minutes possible). When the participant passes through the gate, related information is displayed immediately on the monitor, including name, picture, as well as respective team, seat information etc. Sign-in cooperating with TAIDEN high speed large-scale voting system can provide a high-speed large-scale conference voting system solution.

System Composition

- HCS-4393G2 Contactless Conference Sign-in Machine
 - ◆ Dimensions (h × w × d): 1520 × 540 × 100 mm
 - ◆ Weight: 29.0 kg
- HCS-4217/50S Server software
- HCS-4217/50C Client software
- HCS-4345NTK/50 Contactless IC-Card Encoder
- HCS-3924S Long distance contactless IC-Card 98×67 mm
- HCS-3925S Short distance contactless IC-Card 98×67 mm
- HCS-3926 Contactless IC-Card 86×54 mm
- Computer (with dual screen display adapter HVS-100P1)
- Server (with four screen display adapter HVS-620P)
- Large LCD display screen (optional)

Ordering Information

- HCS-4393G2.....Contactless Conference Sign-in Machine (1.2 m, the computer and the dual screen display adapter should be provided by the user)
- HCS-3924S.....Long-distance Contactless IC-Card (100 pieces of blank card, 98×67 mm)
- HCS-3925S.....Short-distance Contactless IC-Card (100 pieces of blank card, 98×67 mm)
- HCS-3926.....Contactless IC-Card (100 pcs/set, 86×54 mm)

HCS-4345NTK/50 Contactless IC-Card Encoder



Technical Specifications

Interconnections

- Type A USB interface for connection to computer

Mechanical

Mounting.....Tabletop
 Dimensions (h x w x d).....66 x 84 x 121 mm
 Weight.....0.2 kg
 Color.....Champagne panel (PANTONE 401 C)
 + gray base (PANTONE 424 C)

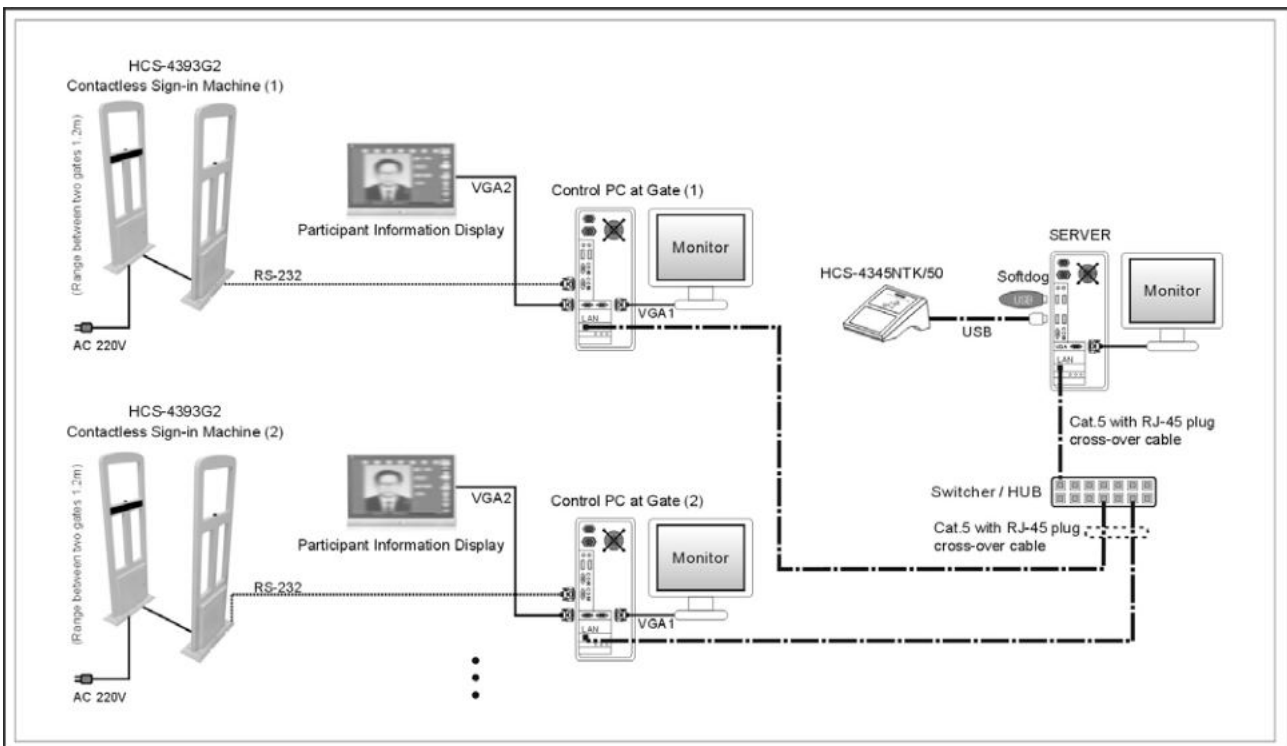
Features

- Encoding unit to produce the contactless IC-Card. The IC-Card may be used to grant access to a sign-in system
- PC connection via type A USB interface
- Smart design

Ordering Information

HCS-4345NTK/50.....Contactless IC-Card Encoder
 (champagne panel + gray base)

System Connection



HCS-4345NF/50 Fingerprint Scanner



Function

- Cooperates with PC to take the delegate's fingerprint to realize biometric authentication with high reliability
- PC connection via type A USB interface
- Smart design

Technical Specifications

Interconnections

- Type A USB interface for connection to computer

Mechanical

Mounting.....Tabletop
 Dimensions (h x w x d)22 x 48 x 75 mm
 Weight.....0.1 kg
 Color.....Gray (PANTONE Warm Gray 10 U)

Ordering Information

HCS-4345NF/50.....Fingerprint Scanner (Gray)

HVS-620P Display adapter



Features

- Display type: GDDR5
- Memory capacity: 2GB
- Bit: 128 bit
- Maximum resolution: 5120x3200
- CUDA core: 512
- Heat dissipation: fan
- Maximum power consumption: 40 W
- I/O interface: 4xmini DisplayPort
- Transfer line :4xmini DP to HDMI
- Interface type: PCI Express 3.0 16 x
- Dimensions: 165x69 mm

Ordering Information

HVS-620P.....Display adapter

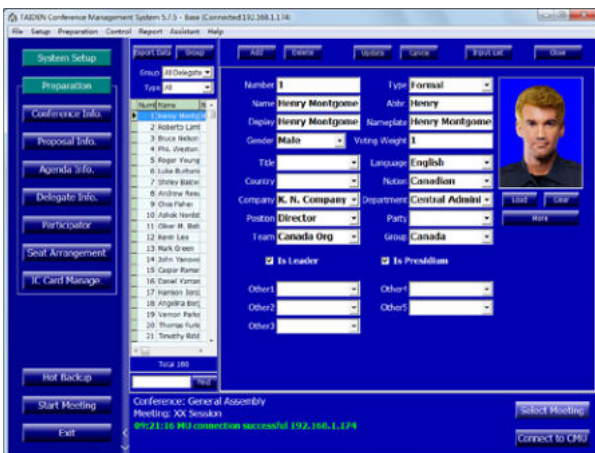
HCS-4217/50 Conference Sign-in Management Module



Entrance sign-in system interface



Unit arrangement



Delegate information

Functions

Conference sign-in, seat arrangement and delegate management sub-modules.

- **Conference sign-in** module consists of complex IC-Card and contactless IC-Card distribution and sign-in, IC-Card loss, IC-Card take back and sign-in server management. More facilities can be achieved in cooperation with the contactless IC-Card sign-in server
 - ♦ IC-Card distribution:
 - The IC-Card contains conference number, participant's number, identity, rights, etc.
 - Card authentication restricted to one conference facility. New authentication subject to IC-Card rewriting
 - Sign-in with backup card if master card is lost
 - ♦ IC-Card loss: report card loss. Cards counted for lost cannot carry out conference sign-in
 - ♦ IC-Card take back: when the conference is over, the cards used during the conference can be taken back, erased and rewritten for next use
 - ♦ Contactless IC-Card sign-in:
 - Entrance access control - delegate control right at conference start
 - Delegate sign-in speed-up and simplification
 - Client/Server structure of IC-Card sign-in machine and sign-in server, for system safety and reliability
 - ♦ Conference sign-in management: based on the venue design and delegate arrangement. Operator monitors a) venue setup, b) presence of participants and delegates, c) controls start/stop of sign-in by simply controlling open / close of sign-in server
 - ♦ Supports manual sign-in if participator's normal sign-in fails
 - ♦ Supports delegate absence management: absence is reported if delegate cannot attend the meeting
 - ♦ Supports displaying sign-in result to large screen, and supports multi display mode:
 - Seat map: indicates current sign-in status
 - Full screen digital display
 - ♦ Sign-in report: creates conference sign-in report based on the actual situation, and printout if needed. An amount of statistical data can be created simultaneously

- **Seat arrangement** facility includes delegate seating and unit arrangement function modules
 - ◆ Delegate seating is used to assign seats for the delegates, e.g.:
 - Assign a single seat for each delegate
 - Section seating, automatic seat assignment for a group of delegates, supports new assignment – in parts or entirely
 - Clear a single seat if required for a new assignment
 - ◆ Unit arrangement: assign the conference units to the corresponding positions based on the true delegate seating, current cabling and layout:
 - Unit arrangement, assign the conference units to the true delegate seating
 - Delete unit, reassign the units
 - Locate seat position by menu operation
 - Operate the arranged units to check the arrangement
- **Delegate management** includes two sub-modules: delegate information and participants
 - ◆ Delegate information: create and manage the delegate's database
 - Edit delegate information: number, type, name, voting weight, leader (yes or no), presidium (yes or no) etc. Supports individual picture in the database
 - Customer-specific options for above items
 - Supports customized delegate grouping
 - Fast search facility
 - Database updatable
 - ◆ Participants: select the delegates to participate in the conference from the database
 - List delegate information by group or by delegate type
 - Group adding function
 - ◆ Delegate authority:
 - Degree: chairman or delegate
 - Authority: speak, vote and vote board

Ordering Information

HCS-4217/50S.....Conference Sign-in Software Module (service)

HCS-4217/50C..... Conference Sign-in Software Module (client)